

Hernik

USER MANUAL

HERO **XXL**



version: 11-2023

TABLE OF CONTENTS

I. General information	Page
1.1 Introduction	2
1.2 Purpose and indication	2
1.3 Relevant information	3
1.4 Declaration of conformity	3
1.5 Warranty	3
1.6 Service and repair	3
1.7 Practical instructions	3
II. Safety instructions & Installation in the car	
2.1 Parts of the HERO-XL	4-5
2.2 Safety instructions	6
2.3 Usage in the car	7
2.4 Info lower tether anchorages	7
2.5 Installing lower tether anchorage straps	8-9
2.6 Installation in the car	10-12
III. Handling and functions of the basic seat	
3.1 Restraining your child	13-15
3.2 Adjusting the headrest	16
3.3 Removing car seat from vehicle	17-18
3.4 Maintenance & product care	19
IV. Using the optional accessories	
4.1 Lateral supports	19
4.2 Abduction block	19
4.3 Security tray	20
V. Guarantee	21
VI. Labeling	21
VII. Technical characteristics	22

I. General information

1.1 Introduction

You have chosen the car seat "HERO-XL" and get hereby a high quality product from our house. We would like to thank you for your trust in us.

To make sure you find joy with this product and to ensure it helps you to make everyday life easier, we present you this manual. It shows you the correct and simple usage and the necessary care and maintenance. To avoid damage due to operator error and to ensure best use, please read the following instructions carefully. If you have any questions or problems, please contact your dealer. We wish you a trouble-free use and hope that our product meets your expectations.

We reserve the right to make technical changes to the version described in this manual.

Before installing in your car and using it for the first time, please read and follow the installation instructions on pages 4 - 12. Please ensure that the instructions for use remain with the product and are therefore available to everyone who uses the seat.

Yours,

HERNIK GmbH

1.2 Purpose and indication

The HERO-XL was developed for transporting children with special needs in the car. Children with poor head or trunk control (e.g. infantile cerebral palsy, muscular dystrophy, hypotonia) can be transported rear-facing, which ensures a safe transport.

Important optional accessories can be used to address specific needs such as: the side supports or the installation of an abduction block or a security tray. More in chapter IV.

I. General information

1.3 Relevant information

The HERO-XL car seat for disabled children consists of two modules:

1. A standard child car seat from Axkid.
2. Adaptation module with accessories, which offers the possibility to equip the car seat according to individual needs. Please observe the instructions for use from HERNIK GmbH.

1.4 Declaration of conformity

HERNIK GmbH declares in sole responsibility that car seat "HERO-XL" complies with the Essential Requirements (Appendix 1 of Directive 93/42 EEC). The product is marked with the CE mark according to the above mentioned directive.

1.5 Warranty

A warranty can only be accepted if the product is used under the specified conditions and for the intended purposes. The manufacturer is not liable for damage caused by components and spare parts which were not approved by the manufacturer.

1.6 Service and repair

Service and repairs on the HERO-XL may only be carried out by specialized dealers. If you have any problems, contact your local dealer. For repairs, you will only receive original spare parts.

1.7 Practical instructions

The car seat will be delivered fully assembled. Upon delivery, the dealer will instruct the user how to use the device by using the manual. The specialist dealer should install together with the user the car seat in the car.

In order to achieve an optimal sitting position, it is necessary to adjust the car seat individually to the circumstances of the child. This should always be done by the dealer.

Please note, that with some accessories used, the seat may not fit in all seating positions. Also with some accessories, the CRS may not be suitable for the range it has been approved for.

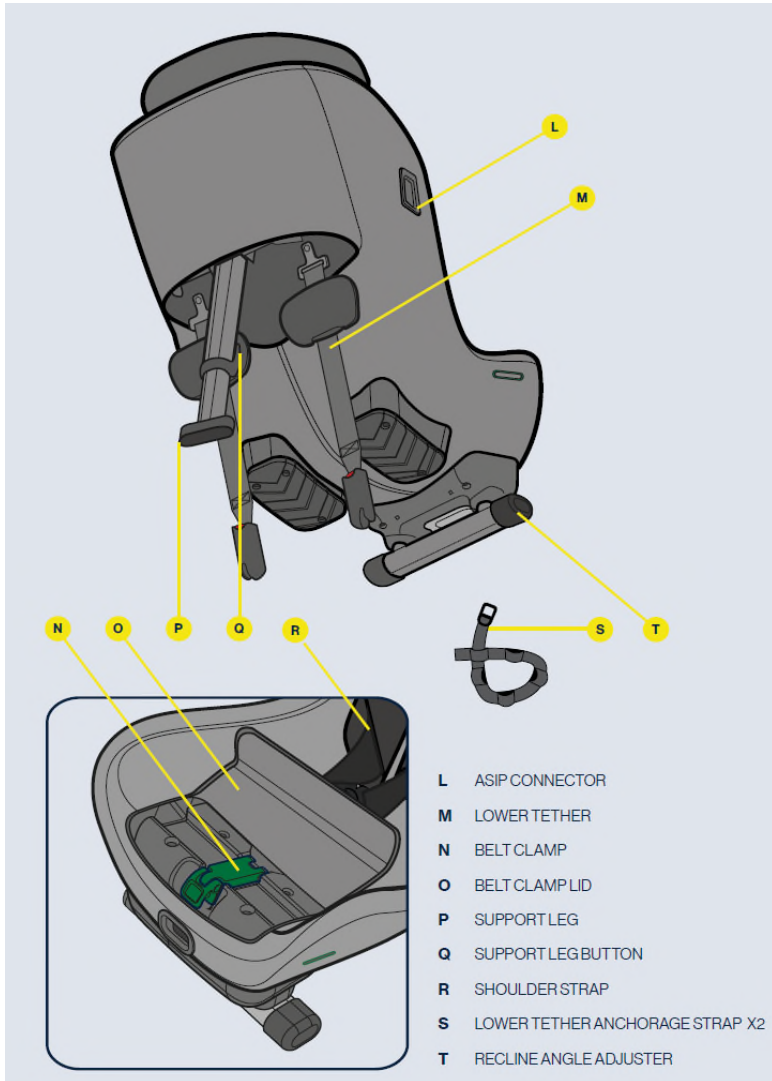
II. Safety instructions & Installation in the car

2.1 Parts of the HERO-XL



II. Safety instructions & Installation in the car

2.1 Parts of the HERO-XL



II. Safety instructions & Installation in the car

2.2 Safety instructions

- Always attach the HERO-XL to the vehicle in accordance with the installation instructions, even when not in use. An unattached seat can injure other passengers in the event of emergency braking.
- The HERO-XL should be secured in the car so that it is not trapped by the front seats or the vehicle doors.
- The straps must not be twisted or pinched and must be tightened.
- After an accident, the car seat can not be used again!
- Always put the harness on your child.
- Before each ride, make sure that the belt buckle is correctly locked and that the pedestal is correctly positioned.
- Also make sure, that all rigid items and plastic parts of the HERO-XL are located and installed so that they are not liable to become trapped by a movable seat or in a door of the vehicle during everyday use of the vehicle.
- It is recommended that any luggage or other objects shall be properly secured.
- The car seat shall not be used without the cover.
- Please note that the car seat may get too hot for your child's skin if it is kept in the sunlight for a longer time without the textile cover.
- The cover should not be replaced with any other than the original one from HERNIK.
- Do not leave your child in the car seat unattended.
- Please do not make any alterations or additions to the device.
- Please follow closely the installation instructions provided by HERNIK.
- The instructions should be kept for it's life period or in the vehicle handbook in the case of built-in restraints.

II. Safety instructions & Installation in the car

2.3 Usage in the car

The HERO-XL car seat can only be installed rear-facing. It will fit in most, but not all seating positions. Please refer to the owner's manual of your vehicle for information on vehicle seats approved for use with child restraint systems in accordance with ECE R16.

range of applications HERO-XL:

Front passenger seat (no active airbag)	YES/NO*
Front passenger seat (active airbag)	NO
Rear passenger seat with 3-point seat belt	YES
Seat with 2-point seat belt	NO
Side and rear facing seats	NO



IMPORTANT: If you wish to install your HERO-XL in a location where a frontal airbag is fitted, the airbag must be disconnected according to your vehicle manufacturer instruction. Note that some vehicles require an authorized service centre to disconnect the airbag.

2.4 Info Lower Tether Anchorages

Lower tether anchorages (LTA) are used to enhance the protection of children in cars by providing a firm and stable installation for extended rear-facing belt attached car seats. This increases the safety for your child in all types of collisions:

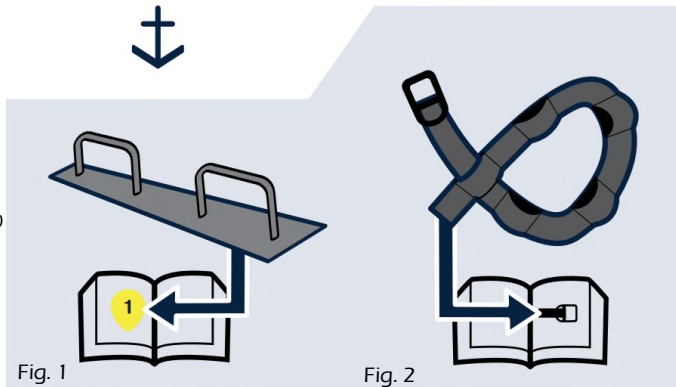
Lower tethers ensure a perfect fit and easy installation in vehicles with pre-installed lower tether anchorages. Pre-installed lower tether anchorages in vehicles are often found on the seat rails attached to the floor, but other positions are also used. Check your vehicle's instruction manual for more information on usable anchor points. If your vehicle has no pre-installed lower tether anchorages, HERO-XL comes with additional lower tether anchorage straps (S) included that can be installed in your vehicle. See this manual for instructions of installation.

IMPORTANT: Never use HERO-XL without the lower tethers. They are an important safety feature and must always be used when installing your car seat.

II. Safety instructions & Installation in the car

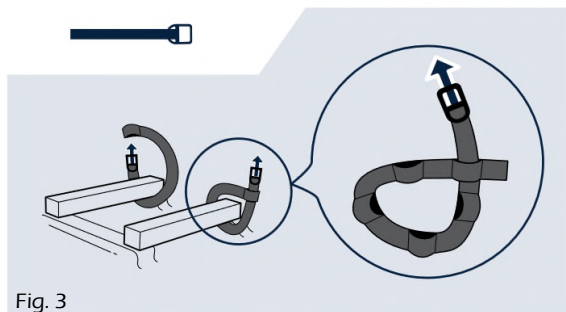
2.5 Installing lower tether anchorage straps

1 see page 10



If your vehicle has no suitable pre-installed lower tether anchorages (Fig. 1), HERO-XL comes with lower tether anchorage straps that can be installed in your vehicle (Fig. 2). Depending on your vehicle and the seat position where you choose to install your car seat, there are various possible anchorage points to use for installing the anchorage straps (see next page).

To install the lower tether anchorage straps (S), simply route the strap around the chosen anchorage point and thread the metal anchorage through one of the slots on the strap itself (Fig. 3). The anchorage strap has several slots to use. Make sure to use the slot as close as possible to the metal anchorage, thus installing the metal anchorage as close to the vehicle floor as possible. Once this is done, pull on the metal anchorage to tighten the strap and repeat the process for the other strap. Always use two anchorage points when installing HERO-XL and choose anchorage points that are separated as this gives a more stable installation.



II. Safety instructions & Installation in the car

Anchorage strap routing options:

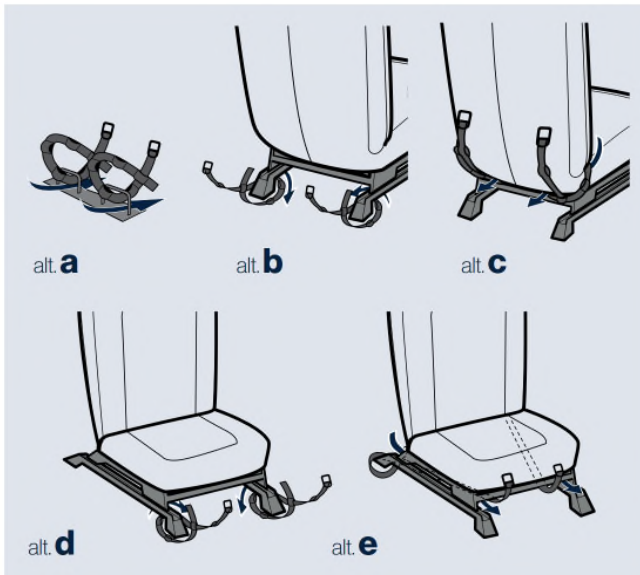
alt. **a)** Route the strap around the edge of the pre-installed anchorage (use this method only if the pre-installed anchorages do not fit with the lower tethers directly).

alt. **b)** Install the strap around the seat rail in front of the car seat by threading the strap between the seat rail and vehicle floor or through appropriate hole of the seat rail.

alt. **c)** Install the strap around the hinge of the vehicle seat in front of the car seat by threading the strap in between the vehicle seat back and seat cushion.

alt. **d)** Install the strap around the seat rail below the car seat by threading the strap between the seat rail and vehicle floor or through appropriate hole of the seat rail.

alt. **e)** When installing the HERO-XL in a front passenger seat and none of above alternatives is available, it is possible to attach the lower tether anchorage straps to a suitable anchorage point in the back of the vehicle and rout the straps underneath the vehicle seat to the front of the vehicle. Make sure that the anchorage straps comes out from the front of the seat and not out from the sides.



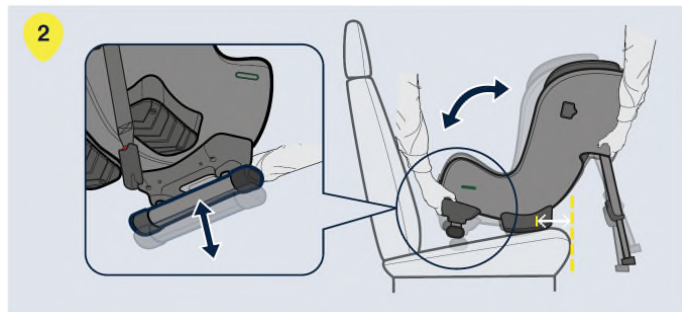
II. Safety instructions & Installation in the car

2.6 Installation in the car

- 1 Unzip the zipper and open the belt clamp lid (O).

Place the HERO-XL on the vehicle seat with the back of the car seat facing the front of the vehicle. Adjust the legroom for your child by simply moving the car seat back and forth on the vehicle seat. The HERO-XL can be installed tight against the vehicle seat back but may never be installed with the heel (J) hanging over the edge of the vehicle seat. Make sure that the vertical line (K) on the heel (J) never crosses the edge of the vehicle seat.

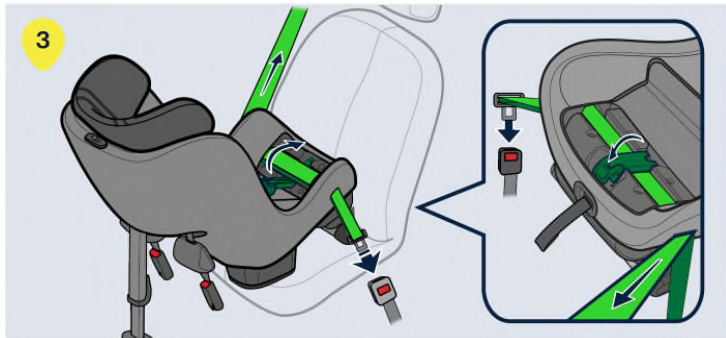
Adjust the angle of the car seat by pressing the recline adjustment lever (G) and select a suitable recline position. For maximum safety, choose a position as upright as possible while also ensuring that your child's head does not fall forward when sleeping. For both comfort and safety reasons, the recline angle should be adjusted to a more upright position as your child grows. Note that when tensioning the lower tethers (M), the car seat will be slightly more reclined as it sinks into the vehicle seat cushion. When installing the HERO-XL in a front passenger seat it is possible, but not necessary, for the back of the car seat to have contact with the dashboard.



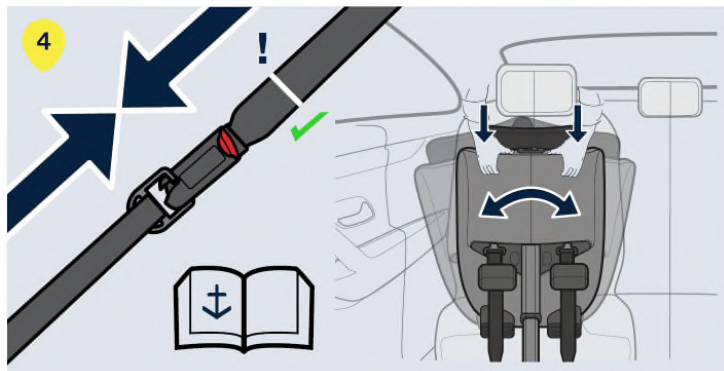
Open the belt clamp (N). Pull out an arm length of the vehicle seat belt and thread it through the seat belt slot (D) closest to you. Route the belt through the belt clamp (N) and thread it through the seat belt slot (D) on the opposite side. Connect the vehicle seat belt with the seat belt buckle and pull hard on the shoulder part of the vehicle seat belt to remove all slack and to fasten the car seat, the harder you pull the firmer the installation. When the car seat is firmly fastened, close the belt clamp (N) and lock the vehicle seat belt in position. Make sure that both the shoulder and lap belt is locked together in the belt clamp (N). Close the belt clamp lid (O) and close the zipper. To give an even more firm and stable installation, press down on the car seat while pulling the shoulder belt.

II. Safety instructions & Installation in the car

2.6 Installation in the car




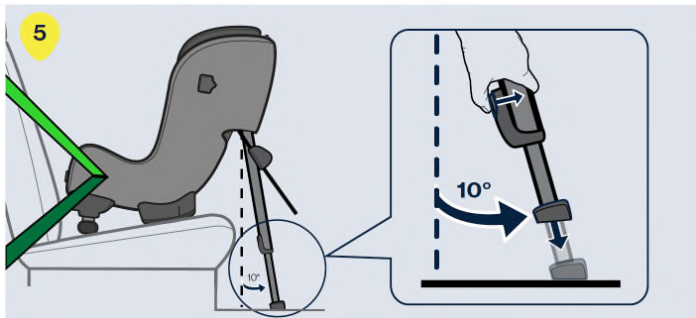
Pull out the lower tethers (M) from the car seat and connect them to the lower tether anchorages in your vehicle, see section about lower tether anchorages in this manual for more information. Press down on the top of the car seat and wiggle the car seat from side to side and the HERO-XL self-tensioning lower tethers (M) will automatically be tensioned. By tensioning the lower tethers (M) you also set the final recline angle of the car seat. Keep pushing on the car seat until it is firmly fastened, and you have achieved a suitable recline angle. Check that the white marking on the lower tether belt is visible. If not, the lower tether anchorages are too close to the car seat and needs to be adjusted. If this is not possible, you can also cross the lower tethers behind the seat to get a bit more distance.




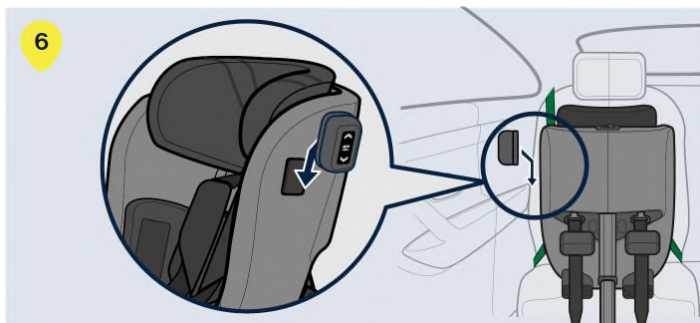
II. Safety instructions & Installation in the car

2.6 Installation in the car

 Pull out the support leg (P) from the car seat. Push the support leg button (Q) and pull the support leg (P) downwards until it is in contact with the vehicle floor. Let go of the support leg button (Q) and lift the car seat upwards to further extend the support leg (P) until you hear a click. The support leg (P) should now be locked and firmly pressed against the vehicle floor. Make sure that the support leg (P) is angled about 10° towards the front of the vehicle. Check the vehicle seat belt again to make sure that it is still firmly tensioned and that no slack has occurred in the hip belt while tensioning the lower tethers and support leg. If the vehicle belt has lost some tension, simply re-tension it by repeating step 2 of this guide without disconnecting the lower tethers.



 Push the ASIP pad (I) into the slots on the ASIP connector (L) and slide downwards, the ASIP pad (I) will click into place. If there is a plastic cover on the ASIP connector (L), remove it and place it on the ASIP connector (L) on the opposite side of the seat before fitting the ASIP pad (I). Make sure the ASIP pad (I) is attached on the side of the HERO-XL car seat that is closest to the vehicle door.



III. Handling and functions of the basic seat

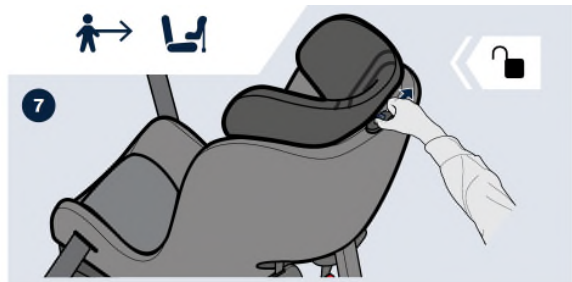
3.1 Restraining your child

Before restraining your child in the HERO-XL car seat, make sure you have the correct inlay installed in the seat. The HERO-XL is designed to grow with your child and to ensure a comfortable and safe fit for the children. It is recommended to use the inlay until it is too tight for your child.

The HERO-XL is equipped with an automatic headrest (A) that will lower itself to the correct position when the harness is being tightened.

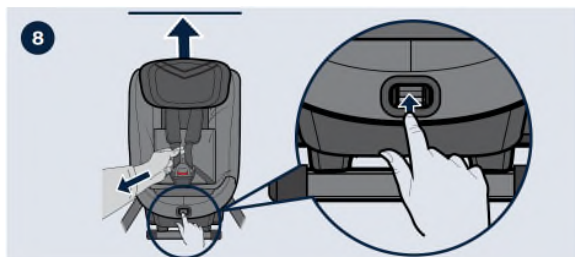
To ensure the best fit, we recommend using this feature every time you restrain your child. Before placing your child in the car seat, ensure that the automatic headrest (A) is in the unlocked position. See section headrest (A) adjustment for more information.

7) Make sure the Headrest brake lever (H) is set to unlocked. If locked, push the lever over to the unlocked position.



8) Loosen the harness by pressing the harness release button (E) and pull out both shoulder straps (R) at the same time.

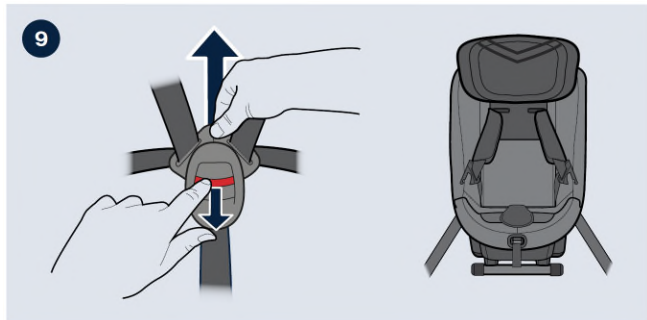
Avoid pulling only one strap at the time since it may cause the shoulder straps (R) to become uneven. Make sure the headrest (A) is pushed up to the top position.



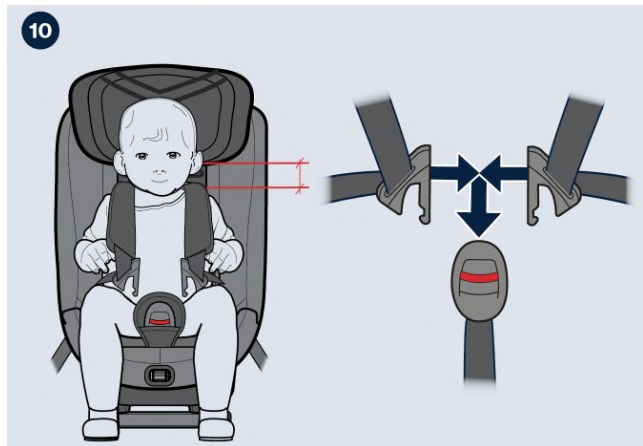
III. Handling and functions of the basic seat

3.1 Restraining your child

9) Unlock the harness buckle by pressing the buckle release button (C) and place the straps outside of the seat.



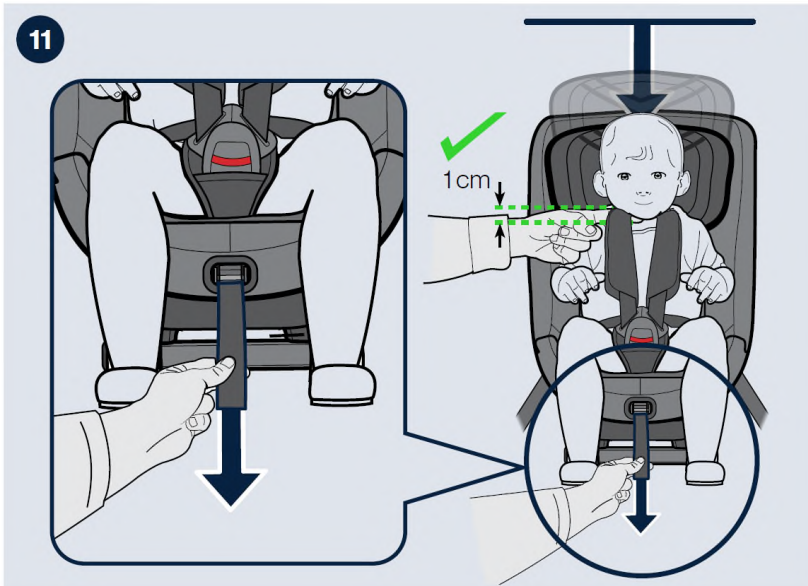
10) Place your child in the seat and place the shoulder straps (R) over your child's shoulder. Lock the harness by first positioning the parts of the buckle that is attached to the shoulder straps (R) together and then push them into the buckle until you hear a click.



III. Handling and functions of the basic seat

2.7 Restraining your child

11) Pull on the shoulder straps (R) to tighten the harness over your child's hips. While keeping tension in the shoulder straps (R), pull the harness tension strap (F) straight from the car seat until the harness is tightened enough, you should not be able to fit more than one finger between the shoulder straps (R) and your child's shoulders. While tensioning the harness, the headrest (A) will automatically move downwards to the correct position for your child.



III. Handling and functions of the basic seat

3.2 Adjusting the headrest

The HERO-XL is equipped with an automatic headrest (A) that will ensure the headrest (A) always is in the best position for your child. When the harness is being tightened, the headrest (A) will lower itself to the correct height and automatically lock in position. When loosening the harness, the headrest (A) will move back up to its top position again and unlock. To ensure the best fit, we recommend, using this feature every time you restrain your child.

The headrest (A) only unlocks in its top position. It is therefore important to ensure that the headrest (A) moves all the way to the top position when loosening the harness, otherwise the headrest (A) will stay locked and will not move down when tensioning the harness.

If you want to deactivate the automatic adjustment feature and keep the headrest (A) in a fixed position, place the headrest (A) in the desired position and switch the headrest brake lever (H) to the locked position. The headrest (A) is now locked in height and will not move until you switch back the headrest brake lever (H) to the unlocked position again.

When using your HERO-XL with the headrest (A) in a fixed position, ensure the headrest (A) is positioned in the correct height for your child.

Check that the shoulder straps (R) are going through the seat straight from your child's shoulders or maximum 1 cm above. If not, adjust the headrest (A) by switching the headrest brake lever (H) to unlocked position and push the headrest (A) to the top position to unlock it and then repeat the procedure.

NOTE! When the headrest is extended, the backrest cushion can be unfolded (Fig. 1). As soon as the height of the headrest is reduced again, the backrest cushion must be folded accordingly (Fig. 2).



Fig. 2



Fig. 1

III. Handling and functions of the basic seat

3.3 Removing car seat from vehicle

1) Unzip the zipper and open the belt clamp lid (O). Unlock the vehicle seat belt by pressing the red button on the seat belt buckle. Open the belt clamp (N) and pull the vehicle seat belt and guide it through the seat belt slots (D) to remove it from the car seat (Fig. 1)

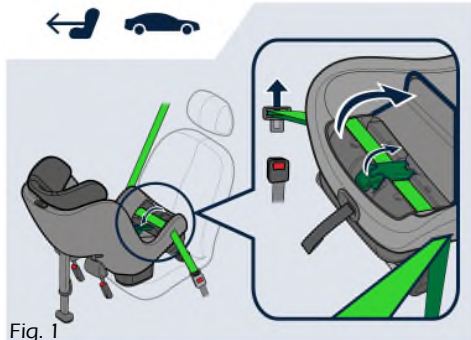


Fig. 1

2) Unlock the lower tethers (M) by holding on to the connectors with your hand and pressing on the red button with your thumb. While keeping the connector in your hand, slowly feed it back to the car seat. Be careful not to let go of the lower tether connector, as it will retract back automatically with high speed (Fig. 2).

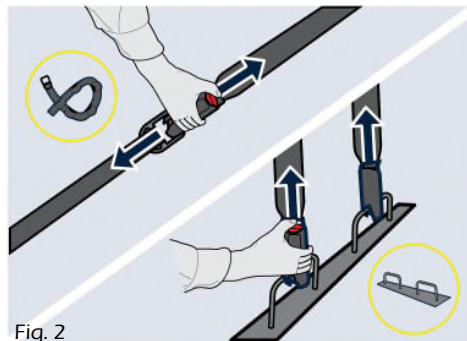


Fig. 2

3) Push the support leg button (Q) and collapse the support leg (P) to its shortest position (Fig. 3)

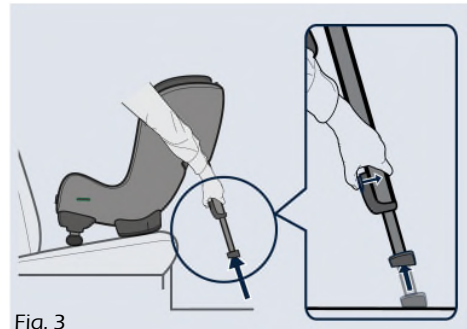


Fig. 3

III. Handling and functions of the basic seat

3.3 Removing car seat from vehicle

4) Press the recline adjustment lever (G) and push in the recline angle adjuster (T) to its shortest position. Lift the HERO-XL out of the vehicle (Fig. 4).

TIP! Lock the harness buckle and tension the harness before removing the car seat from the vehicle. You can then use the shoulder straps (R) as a carrying handle, making it easier to lift out the car seat and transporting it outside of the vehicle.

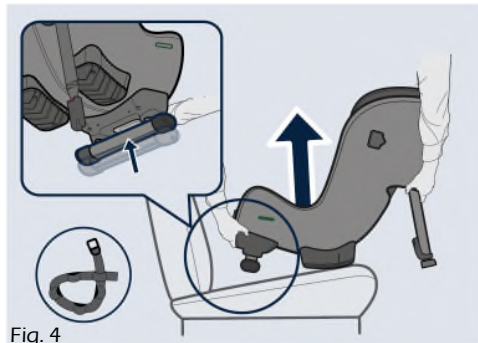


Fig. 4

IMPORTANT! Never carry the car seat by holding in the headrest (A).

3.4 Maintenance & Product care

Only use original HERNIK seat covers. The seat cover is an integral part of the child seat and fulfills important functions to ensure the proper functioning of the system. Replacement seat covers are available from your dealer.

- The cover can be removed and washed with a mild detergent in the fine washing program of the washing machine (30 ° C). Please refer to the instructions on the wash label of the cover.
- The padding can be washed like the cover. Remove all foam parts from the upper and lower parts before washing. These must not be washed along.
- The plastic parts and straps can be cleaned with soapy water. Do not use harsh cleaning agents (such as solvents).

IV. Using the optional accessories

4.1 Lateral supports

The lateral supports help your child stabilize the upper body when trunk control is limited.

The laterals are attached by means of a Velcro connection on a specially bolted mounting plate. They can be loosened with light force. If you have found an optimal position, the laterals should be re-fixed with pressure in the direction of the back with a slight turn.

The cover is removable and washable.



4.2 Abduction block

The abduction block helps your child keep his legs in a controlled position. The abduction block is attached by Velcro to the cover of the seat and can be placed according to the needs of your child.

The cushion should not cover the 5-point-harness. .



IV. Using the optional accessories

4.3 Security tray

The security tray ❶ enables your child to put their arms down and thus stabilise their upper body.

It has Velcro on the underside to ensure a firm fit. To fit it, the table must be lifted at the front and clamped into the slot between the back and seat sections. Then please attach it to the back section ❶ with the velcro straps ❷.

The cover is removable and washable.



V. Guarantee

HERNIK products are designed and manufactured in accordance with strict quality standards. If, in exceptional circumstances, you have cause for complaint, HERNIK GmbH guarantee in accordance with the terms and conditions of delivery:

- 24 months warranty on all solid parts, from date of delivery.
- 12 months warranty on all moving parts, from date of delivery.

For parts that were not manufactured by HERNIK GMBH, please refer to the warranty policy of the respective manufacturer (Römer-Britax Kindersicherheit GmbH). Claims under this guarantee are subject to the device being properly installed and used in accordance with the instructions provided.

Warranty is void where modifications or improper repairs, without prior consultation with the manufacturers are carried out. Warranty is void where a device is improperly fitted.

Further claims, for whatever legal reason, in particular, claims for direct or indirect damages are excluded.

VI. Labeling

On the back you'll find the following labeling:



Restraint device for special requirements "S" (EN)

Please read the user manual
before use!

VII. Technical characteristics

	HERO-XL
SEAT WIDTH (pelvis)	24 cm
SEAT WIDTH (knee)	27 cm
SEAT DEPTH	25 - 34 cm
BACK HEIGHT	28 - 45 cm
CROWN HEIGHT	48 - 68 cm
HEIGHT LATERALS	13 - 20 cm
total height	65 - 82 cm
total width	43 cm
total depth	55 cm
capacity	36 kg



HERNIK GmbH
Auf der Gröb 2 c
83064 Raubling • Germany

☎ +49 8035-9580448 • 📠 +49 8035-9580446
✉ info@hernik.de • 🌐 www.hernik.de