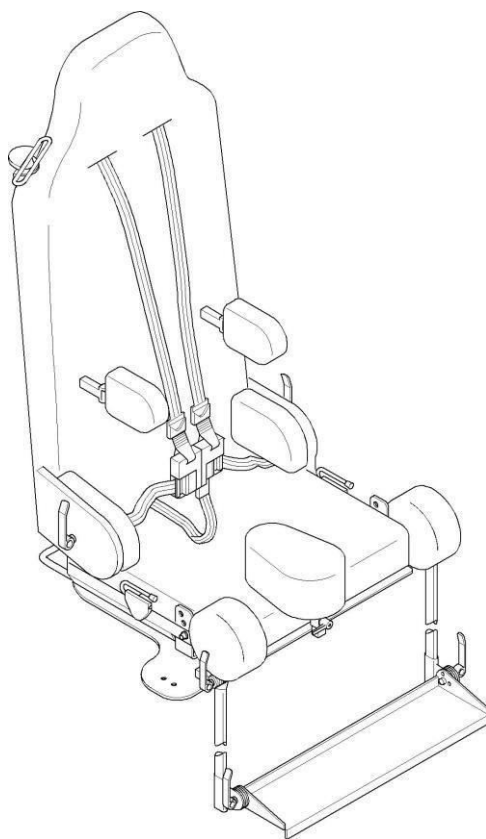




Providers of Rehabilitation Technology

KIDSFLEX

Disabled Child Car Seat



Instructions

Kidsflex - Disabled Child Car Seat

Dear Customer,

We would like to thank you for purchasing our ,Kidsflex special needs car seat.

Prior to installation and use of this seat in a vehicle, in the interest of correct and safe use, we ask that you read carefully and understand this instruction manual. Please be sure to observe all safety instructions

Please make sure that this instruction manual remains with the seat at all times so that it is available for all users.

We reserve the right to make technical changes

Hernik GmbH.

Table of Contents	2
General Information	3
How to Use	3
Safety	4
Component Overview - Kidsflex	5
Adjustments – Kidsflex 1 and 2	6
Component Overview - Accessories	7
How to Use - Accessories.....	8
Installation in a Vehicle	10
Care and Maintenance	10
Seat and Accessories	11
Warranty	11
Serial Number / Identification.....	12

Kidsflex - Disabled Child Car Seat

General Information

The Kidsflex Disabled Child Car Seat is designed to be used as a restraint system for disabled children when travelling in a car, it is suitable for installation in most cars.

The car seat is designed for use in the back seat of a car and requires a functioning vehicle mounted 3-point seat belt.

The seat can be installed and used on the passenger side or on the driver side (location to be specified at purchase).

In addition to the vehicles 3-point seat belt, the Kidsflex car seat is equipped with a 5-point support harness, with both shoulders, lap and crotch strap, to provide added support for the child.

Options are available to offer added postural management and support for the child where needed.

ATTENTION

The Kidsflex child seat is tested and approved for forward facing installation in a rear seat position only.

The distance between the child's head and the interior roof lining must be a least 60mm.

How to Use

Your Kidsflex car seat is supplied assembled.

On delivery your dealer should unpack and check the seat, ensure adjustments are made to suit the vehicle, and fit the seat in accordance with the Instructions.

If fitted with the Stabilizer Bracket, this must be adjusted to the relevant vehicle, the seat will then be located by pushing the stabilizer bracket into the gap between the backrest and cushion of the vehicles rear seat.

If fitted with our Isofix option, this must be adjusted to the relevant vehicle, the seat will then be located by latching onto the vehicles Isofix locations (Note: this Isofix option is for stability / location purposes, the vehicles 3-point seat belt must always be used to secure the child).

In order to achieve the optimal seating position, it will be necessary to adjust the seat to the child's size and requirements. These adjustments should always be carried out by your dealer.

After instruction, the appropriate person, in the presence of the dealer, should perform all functions, as well as installation and removal of the car seat.

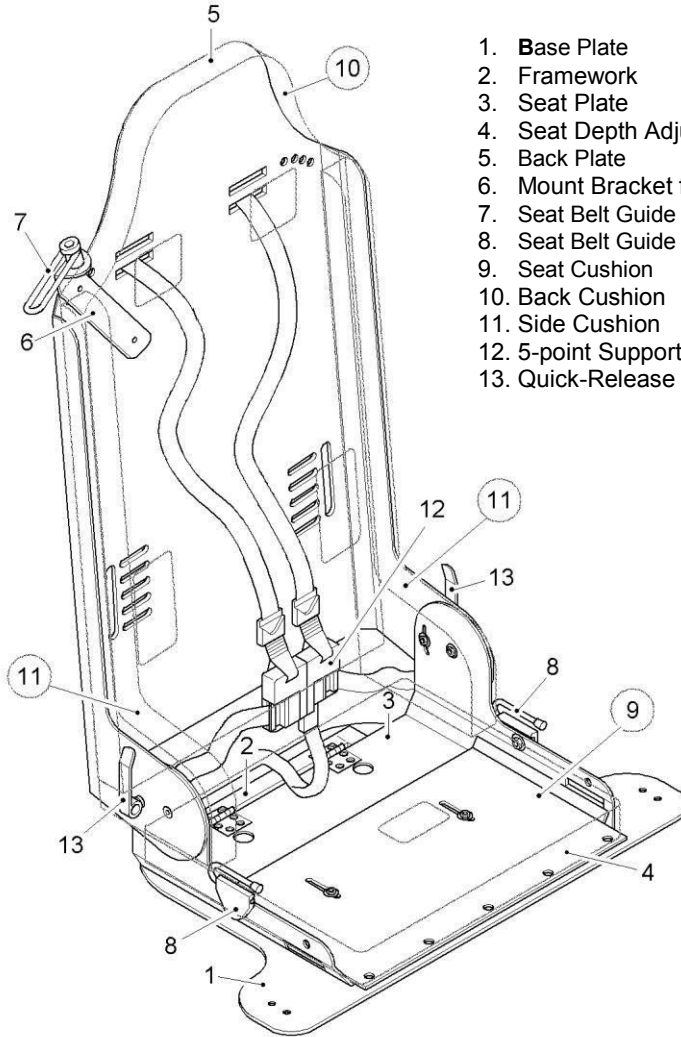
Kidsflex- -Disabled Child Car Seat

Safety

- Before use – all components must be checked for proper function.
The operating instructions must always be carried on the car seat.
- Your child's safety is only guaranteed when the seat is properly installed and your child is positioned correctly within the seat.
- The support harness straps must be adjusted comfortable tight and must lay flat on the child without twists and distortions.
- The vehicles 3-point seat belt system must be used to secure the child, and must be placed correctly within the seat belt guides provided.
Please check:
 - A. The vehicles seat belt is securely located within the seat belt guides.
 - B. That the belt buckles are securely engaged.
 - C. That there are no twists in the seat belt webbing.
- Make sure that clothing, solid objects such as pins, belt buckles, etc. are not placed between the child and the seat belt, which can result in unnecessary injuries in accidents.
- Explain to your child how important it is to be properly secured, that the belts must be used correctly, not to pull on the straps or to open the buckles.
- Do not modify the seat as this will endanger your child.
- Damage must not be caused to the seat by moving parts or doorways.
- You must not leave your child unsupervised in the child seat.
- You should inform other passengers how to remove the child from the car seat in the event of an accident or incident.
- In the event of an accident the child seat must be replaced.

Kidsflex - Disabled Child Car Seat

Component Overview - Kidsflex



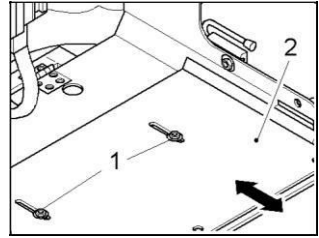
1. Base Plate
2. Framework
3. Seat Plate
4. Seat Depth Adjustment Plate
5. Back Plate
6. Mount Bracket for Seat Belt Guide
7. Seat Belt Guide - Shoulder
8. Seat Belt Guide - Lap
9. Seat Cushion
10. Back Cushion
11. Side Cushion
12. 5-point Support Harness
13. Quick-Release Lever

Kidsflex - Disabled Child Car Seat

Adjustments Kidsflex 1 and 2

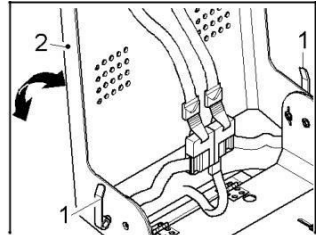
1. Seat Depth Adjustment

- Remove the Seat Cushion.
- Loosen the screws (1) and slide the Seat Depth Adjustment Plate to the desired position.
- Retighten both screws (1) and refit the cushion.



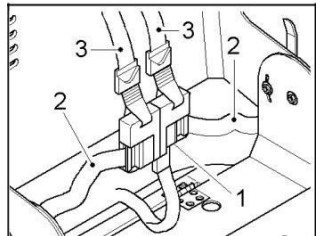
2. Backrest Recline Adjustment

- Open the Quick Release Levers (1) both sides. Recline to the desired position and close the Quick Release Levers.



3. Support Harness Adjustment

- Close the buckle by overlapping the harness tongues, then press into the buckle. Open by pressing the red button.
- Ensure all belts are free with no twists.
- Place the child in the seat ensuring they are seated to the back of the cushion.
- Connect the 5-point harness.
- Pull the Lap belt (2) comfortably tight.
- Adjust the Shoulder belts (3) each side, you should only be able to place your flat hand inside the shoulder belt after tensioning.
- Regular adjustments are required to the harness for example when the child is wearing different clothes.

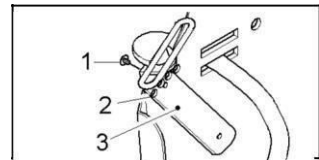


4. Removal of Cushions

- Remove the backrest cushion by pulling the harness shoulder straps through the pad. Remove the pad. Open the zip to remove the cover.
- Remove the seat cushion by undoing the crotch strap, then simply peel the cushion from the velcro. Open the zip to remove the cover.

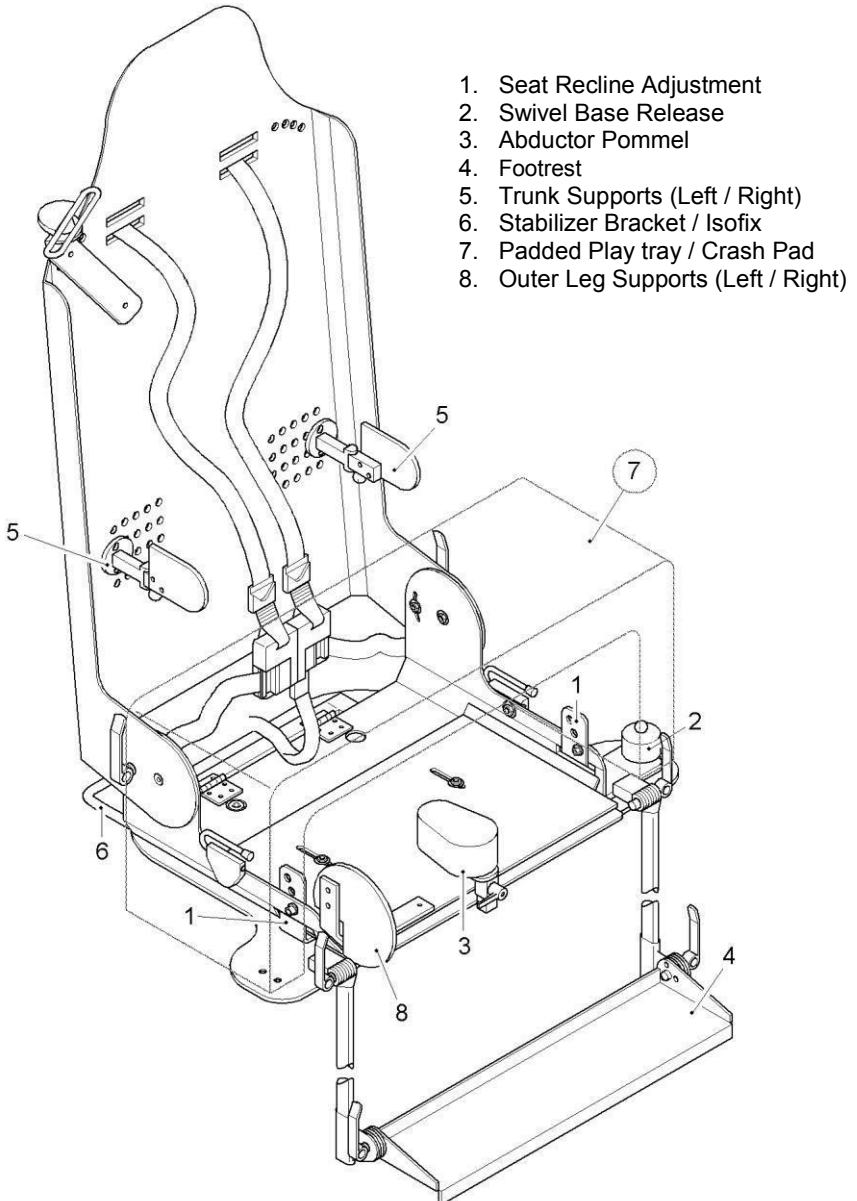
5. Setting the Shoulder Seat Belt Guide

- The seat belt guide must be set to the appropriate height for the child.
- Loosen both nuts (3) behind the cushion.
- Open both Allen screws (2) on the rear of the seat.
- Slide the guide to the correct position, then Retighten both Allen screws (2), then retighten Both locking nuts (3)



Kidsflex - Disabled Child Car Seat

Component Overview – Kidsflex Accessories

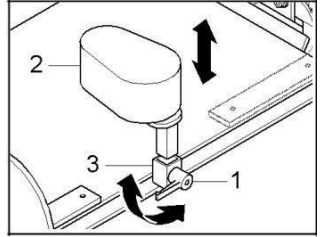


Kidsflex - Disabled Child Car Seat

How to Use Kidsflex Accessories

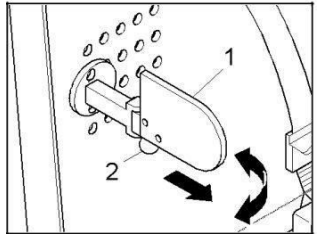
1. Abductor Pommel

- To remove the Abductor Pommel, loosen the quick clamp lever (1), simply lift out the Pommel (2) from the retaining bracket (3).
- Position the child, tighten the harness support, then refit the Abductor Pommel (2) into the retaining bracket (3) and retighten the quick clamp lever (1)



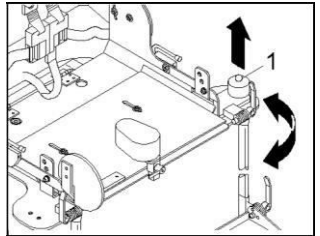
2. Trunk Supports

- The Trunk Supports are fitted through the backrest cushion, apertures are provided both left and right side.
- Trunk Supports are adjustable, up/down and in/out, to suit the size of the child. Adjustments are made using the Matrix in the back of the seat. Remove the Allen screws from the rear of the seat, reposition and tighten.
- For Swing-away Trunk Supports, pull down Knob (2). When the child is seated, pull down Knob (2), swing support forward to a straight Position and lock knob in place.



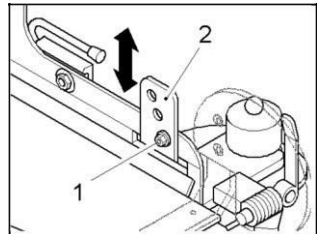
3. Swivel Base

- Lift release button (1) and swivel the seat toward the open door.
- Place the child and swivel the seat to face forward, ensuring that the seat locks securely.
- Older versions – you must unscrew the locking button before lifting the button to release the seat for swivel. When the seat is locked forward facing, retighten the locking button.



4. Recline Angle

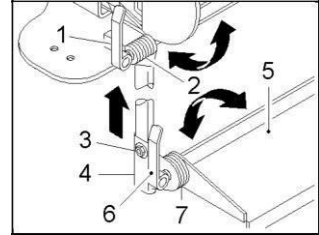
- Remove screws (1) each side. Adjust seat recline angle as required, refit screws each side through location plate (2) and retighten.



Kidsflex - Disabled Child Car Seat

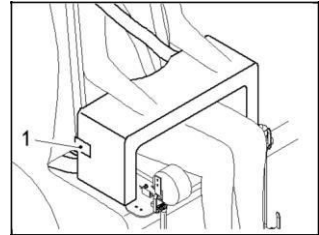
5. Setting the Footrest

- Open the quick release lever each side (1) Adjust the knee angle as required (2) close both quick release levers to set (1)
- Open the Allen screws each side (3) to set the height of the Footrest (5), when required position is achieved, retighten both Allen screws (3).
- Set the angle of the Footrest plate by opening quick release levers each side (6). Set the required angle (7), close both quick levers to set.



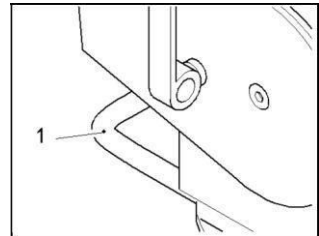
6. Fitting the Padded Tray / Crash Pad

- After the child is positioned in the seat with the support harness adjusted and the vehicles 3-point seat belt fitted, you may fit the Padded Tray.
- Position the Padded Tray and locate using the Velcro straps (1) as shown.
- Ensure the child's arms are resting on top of the Tray.



7. Mounting the Stabilizer Bracket

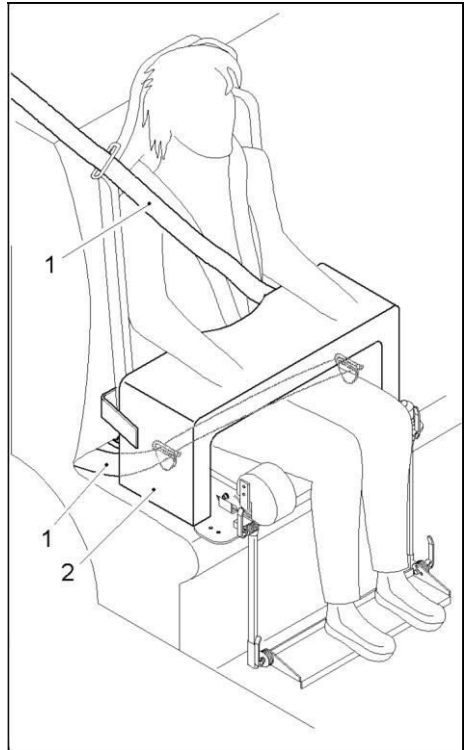
- If a Stabilizer Bracket is fitted, lift the seat base at a slight angle and push the bracket into the gap between the vehicles seat and backrest.
- Adjust the seat so that the car seat backrest sits in contact against the backrest of the vehicle seat. Ensure that the car seat base is in full contact with the vehicle seat cushion.
- Tighten the screws on the car seat base frame to lock the Stabilizer Bracket in position.
- Stabilizer Bracket should be approx. 135mm from car seat back.



Kidsflex - Disabled Child Car Seat

Seating the Child

1. **Kidsflex is designed and intended for use only in the rear seat of a car**
2. Open the Child Support Harness and if necessary release some strap to make room in the harness.
3. Turn the seat to face out of the vehicle for easier access (only with swivel base option).
4. Swing open the trunk supports (if this option is fitted).
5. Position the child.
6. Close the 5-point support harness, and adjust to comfortably tight.
7. Turn the seat into the vehicle until the lock clicks shut.
8. Secure the child with the 3-point vehicle seatbelt (1).
 - Thread the seatbelt through the belt guides provided at both lap and shoulder positions.
9. Position the padded play tray / crash pad (2) and fix in place with the velcro straps provided on both sides (optional).



Care and Maintenance

1. Check all screw connections and moving parts for tightness at 8 week intervals, service where necessary.
2. Clean with a dry cloth, if necessary use a mild detergent to clean stubborn dirt.
3. The covers are removable, for hand wash at 40 degrees.

Disposal

- Delivery Packaging is recyclable.
- All metal parts can be recycled as scrap metal.
- All other parts (foams, covers), disposal must be in accordance with your national regulations. Please check with your local authority waste disposal offices.

Kidsflex - Disabled Child Car Seat

Seat and Accessories

Description		Size 1	Size 2	Size XL
Kidsflex	part no:	300000-S	310000-S	310000-S-XL
Seat Angle Adjustment	part no:	300100-S	310100-S	310100-S-XL
Swivel Base Plate	part no:	300200-S	300200-S	300200-S
Head Support	part no:	300050-S	300050-S	300050-S-XL
Leg Support - Left	part no:	300350-S	300350-S	300350-S-XL
Leg Support - Right	part no:	300355-S	300355-S	300355-S-XL
Abductor Pommel	part no:	300400-S	310400-S	310400-S-XL
Footrest	part no:	300450-S	310450-S	310450-S-XL
Trunk Support - Slim line	part no:	300500-S	300500-S	300500-S-XL
Trunk Support - Deep	part no:	300510-S	300510-S	300510-S-XL
Stabilizer Bracket	part no:	300550-S	310550-S	310550-S-XL
Padded Play Tray	part no:	300600-S	310600-S	310600-S-XL

Warranty

HERNIK – products are manufactured in accordance with strict quality standards using the latest technology.

In the unlikely event of a failure, or if our product does not meet expectation, our General Terms and Condition of Warranty are as follows:

24 Months warranty on the base frame components.

12 Months warranty on all moving parts.

Warranty excludes: Normal wear and tear, damage due to excessive loading, damage due to incorrect use, damage due to incorrect installation, damage due to accidents.

Product warranty is contingent on correct use of this product, correct installation and adjustment in your vehicle, in accordance with the Instruction Manual provided.

Warranty does not apply in the event of design changes, modifications or improper repairs, without prior consultation and agreement of Hernik GmbH.

Claims, irrespective of their legal basis, in particular claims for direct or indirect damages are excluded.

Hernik Kidsflex Handicap Child Car Seats meet the requirements of European Standard EN 12182 and is labelled according to EU Directive 93/42/EEC.



Standard Seat Specification (without options)

Kidsflex Child car Seat



We reserve the right to make technical changes.

Kidsflex	Size 1	Size 2	Size XL
Total Height	67 cm	80 cm	90 cm
Back Height Adjustment	43 to 51 cm	49 to 57 cm	58 to 69 cm
Seat Width	27 or 31 cm	31 or 35 cm	36 or 40 cm
Seat Depth Adjustment	28 to 33 cm	34 to 39 cm	40 to 46 cm
Height of Trunk Supports	21 to 25 cm	25 to 29 cm	30 to 36
Width of Trunk Supports	19 to 28 cm	23 to 32 cm	29 to 40 cm
Approved	25 kg	36 kg	75 Kg

Nameplate

The nameplate is readily visible on the Kidsflex

The Nameplate:

<p>HERNIK GmbH – Agents for Rehabilitation Technology Partenhauserweg 14 – 81369 München</p> <p>Kidslover Gr. 1 Serial No:</p> <p> max. Load: 25 Kg</p> <p>Read Instruction Manual Before Use</p>	<p>HERNIK GmbH - Agentur für Reha – Technik Partenhauserweg 14 – 81369 München</p> <p>Kidslover Gr. 2 Serien- Nr.:</p> <p> max. Belastung: 36 Kg</p> <p>Lesen Sie vor Gebrauch die Bedienungsanleitung</p>
--	---

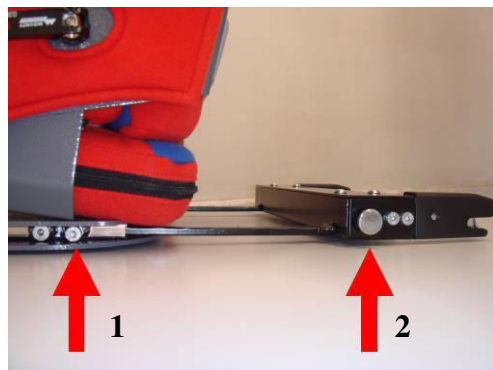
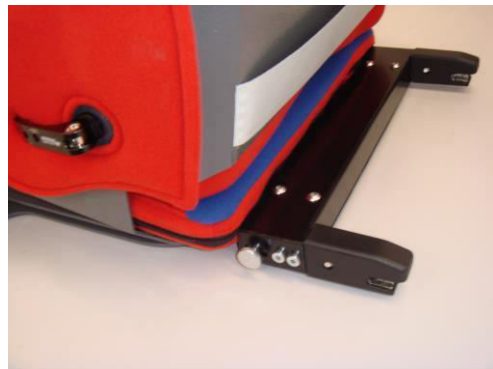
Instructions for use: ISOFIX – Mounting Bracket

Our seats are available with an Isofix Adapter Bracket option, in place of the regular clamp style Stability Bracket. The Isofix Adapter Bracket allows the seat to locate to existing Isofix attachment points in all cars after 2006. As it is a mechanical connection the Isofix Adapter Bracket offers more support and greater stability for the child seat in the car.

Caution: Our Isofix Adapter Bracket is for location and stability purposes only, the vehicles 3-point seat belt must always be used to secure the passenger. Please read carefully and understand the User Instructions provided with your car seat.

Installation:

1. Position the Isofix Adapter Bracket into the rectangular tubes provided to the rear of the base plate on the seat. Turn both Allen screws (1) each side but do not tighten.
2. Extend (slide) the isofix bracket out from the seat and pinch tighten the Allen screws (1)
3. Line up the Isofix latches with the car's Isofix brackets then push the car seat back on both sides until a clearly audible click is heard from both Isofix latches.
4. Set the required angle of the car seat backrest (see User Instructions).
Now loosen both Allen screws (1) both sides, slide the car seat against the backrest of the vehicle seat, ensuring there is contact.
5. Tighten both Allen screws on both sides to lock the Isofix Adapter Bracket in place.
6. Secure the Isofix latches from inadvertent opening by tightening the thumbscrews (2) provided both left and right side.
7. Check to verify that the Isofix latches are securely locked in place.



Removal :

1. Loosen both thumbscrews (2), left and right.
2. Pull both thumbscrews simultaneously, forward toward the child seat to unlock the Isofix latches.
3. You may now remove the car seat.

