

invoice / delivery address

From: _____

Order

Offer

Reha-carseat KidsFlex

Release: 2018

BASIC

	size 1	size 2	size 2XL
total height	74 cm	80 cm	90 cm
crown height	67 cm	73 cm	82 cm
back height	43 - 51 cm	49 - 57 cm	58 - 69 cm
seat width	27 / 31 cm	31 / 35 cm	36 / 40 cm
seat depth (adjustable)	28 - 33 cm	34 - 39 cm	40 - 46 cm
lateral support height	21 - 25 cm	25 - 29 cm	30 - 36 cm
lateral support distance	19 - 28 cm	23 - 32 cm	29 - 40 cm
weight	8,2 kg	8,9 kg	12,3 kg
capacity	22 kg	36 kg	75 kg

common information (standard):

- seat depth adjustable
- headrest included
- upholstery & cover
- backrest angle adjustable
- 5-point-harness with upholstery
- frame to fix a footrest, clamp bow or ISOFIX
- Crash tested according to ECE 44, ECE R16, ECE R14
- TÜV Product Service EN 12182 and DIN EN 1021



size 1
Black/Red
(300000-S1)

size 1
Black/Blue
(300000-S2)

£ ---



size 2
Black/Red
(310000-S1)

size 2
Black/Blue
(310000-S2)

£ ---



size 2XL
Black/Grey
(310000-S-XL)

£ ---

belt guide*:

LEFT

RIGHT

*please choose ONE of them





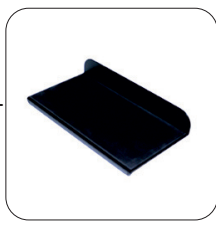
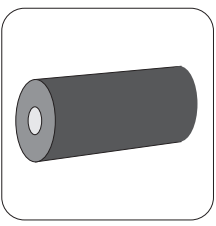



without upholstery and cover

size 1 (300000-S-PB)
[£ ---]

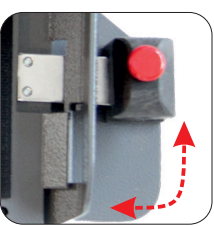


size 2 (310000-S-PB)
[£ ---]

size 2XL (310000-S-XL-PB)
[£ ---]


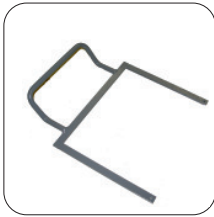

fittings for the different needs

<p>head support, soft</p> <p><input type="checkbox"/> size 1, 2 and 2XL (300050-S) [£ ---]</p> 	<p>head support „Kick-Back“ with aluminium frame</p> <p><input type="checkbox"/> size 1, 2 and 2XL (300025-S) [£ ---]</p> 	<p>leg support</p> <p><input type="checkbox"/> size 1, 2, 2XL left (300350-S) [£ ---]</p> <p><input type="checkbox"/> size 1, 2, 2XL right (300355-S) [£ ---]</p> 
<p>abduction block, removable</p> <p><input type="checkbox"/> size 1 (300400-S) [£ ---]</p> <p><input type="checkbox"/> size 2 (310400-S) [£ ---]</p> <p><input type="checkbox"/> size 3 (310400-S-XL) [£ ---]</p> 	<p>foot rest, height and angle adjustable</p> <p><input type="checkbox"/> size 1 (300450-S) [£ ---]</p> <p><input type="checkbox"/> size 2 und 2XL (310450-S) [£ ---]</p> 	<p>foot roll, height and angle adjustable</p> <p><input type="checkbox"/> size 1 (300455-S) [£ ---]</p> <p><input type="checkbox"/> size 2 und 2XL (310455-S) [£ ---]</p> 
<p>trunk supports, small (height: 11 cm, depth: 14 cm)</p> <p><input type="checkbox"/> size 1, 2, 2XL fix (300500-S) [£ ---]</p> <p><input type="checkbox"/> size 1, 2, 2XL swing away (300505-S) [£ ---]</p> 	<p>trunk supports, large (height: 21 cm, depth: 16 cm)</p> <p><input type="checkbox"/> size 1, 2, 2XL fix (300510-S) [£ ---]</p> <p><input type="checkbox"/> size 1, 2, 2XL swing away (300515-S) [£ ---]</p> 	<p>shoulder supports</p> <p><input type="checkbox"/> size 1, 2, 2XL (300700-S) [£ ---]</p> 

fittings frame



<p>swivel base</p> <p><input type="checkbox"/> size 1, 2, 2XL (300200-S) [£ ---]</p> <p><input type="radio"/> RIGHT</p> <p><input type="radio"/> LEFT</p> 	<p>angular adjustment (0° - 10°)</p> <p><input type="checkbox"/> size 1 (300100-S) [£ ---]</p> <p><input type="checkbox"/> size 2 (310100-S) [£ ---]</p> <p><input type="checkbox"/> size 3 (310100-S-XL) [£ ---]</p> 	<p>extra angular adjustment + 10° (10° - 20°)*</p> <p><input type="checkbox"/> size 1, 2, 2XL (300110-S) [£ ---]</p> <p>NEU!</p> <p>*needs standard angular adjustment!</p> 
---	--	--

fittings for car installation

<p>ISOFIX-adapter</p> <p><input type="checkbox"/> size 1 (300575-S) [£ ---]</p> <p><input type="checkbox"/> size 2 & 2XL (310575-S) [£ ---]</p> 	<p>clamp bow (when there's no ISOFIX)</p> <p><input type="checkbox"/> size 1 (300550-S) [£ ---]</p> <p><input type="checkbox"/> size 2 & 2XL (310550-S) [£ ---]</p> 	<p>additional belt guide (on the other side)</p> <p><input type="checkbox"/> size 1 - 3 (300075-S) [£ ---]</p> 
---	--	--

fittings security

<p>security tray</p> <p><input type="checkbox"/> size 1 (300600-S) [£ ---]</p> <p><input type="checkbox"/> size 2 (310600-S) [£ ---]</p> <p><input type="checkbox"/> size 2XL (310600-S-XL) [£ ---]</p> 	<p>security pad for the buckle with snap fastener</p> <p><input type="checkbox"/> size 1, 2, 2XL (300650-S) [£ ---]</p> <p>The buckle gets invisible for the child thanks to an additional pocket!</p> 	<p>NEU!</p> <p>security pad for the buckle with magnetic lock</p> <p><input type="checkbox"/> size 1, 2, 2XL (300655-S) [£ ---]</p> 
--	--	---

<p>protection mat (to protect the original seats of the car)</p> <p><input type="checkbox"/> (300780-S) [£ ---]</p> 	<p>individual colors for the cushions (300800), [£ ---]</p> <p>[one X means single-colored, two X means bicolored]</p> <table border="0"> <tr> <td></td> <td style="text-align: center;">inside</td> <td style="text-align: center;">outside</td> </tr> <tr> <td><input type="checkbox"/> red</td> <td><input type="checkbox"/></td> <td><input type="checkbox"/></td> </tr> <tr> <td><input type="checkbox"/> blue</td> <td><input type="checkbox"/></td> <td><input type="checkbox"/></td> </tr> <tr> <td><input type="checkbox"/> black</td> <td><input type="checkbox"/></td> <td><input type="checkbox"/></td> </tr> <tr> <td><input type="checkbox"/> grey</td> <td><input type="checkbox"/></td> <td><input type="checkbox"/></td> </tr> </table>		inside	outside	<input type="checkbox"/> red	<input type="checkbox"/>	<input type="checkbox"/>	<input type="checkbox"/> blue	<input type="checkbox"/>	<input type="checkbox"/>	<input type="checkbox"/> black	<input type="checkbox"/>	<input type="checkbox"/>	<input type="checkbox"/> grey	<input type="checkbox"/>	<input type="checkbox"/>	<p>belt to connect the chest straps (to improve the position of the belt in front of the breast)</p> <p><input type="checkbox"/> (300640-S) [£ ---]</p> <p>NEU!</p> 
	inside	outside															
<input type="checkbox"/> red	<input type="checkbox"/>	<input type="checkbox"/>															
<input type="checkbox"/> blue	<input type="checkbox"/>	<input type="checkbox"/>															
<input type="checkbox"/> black	<input type="checkbox"/>	<input type="checkbox"/>															
<input type="checkbox"/> grey	<input type="checkbox"/>	<input type="checkbox"/>															

individuality

<p>NEU!</p> <p>individual dimensions</p> <p><input type="checkbox"/> seat width: (300910-S) [£ ---] netto _____ cm</p> <p><input type="checkbox"/> seat depth: (300920-S) [£ ---] netto _____ cm</p> <p><input type="checkbox"/> crown height: (300930-S) [£ ---] netto _____ cm</p>	<p>notes:</p> <p>-----</p> <p>-----</p> <p>-----</p> <p>-----</p> <p>-----</p> <p>-----</p>
---	---